

ROD ACCESSORIES

for Cylinders



Find out our
key products



Solution for most applications



Easy and intuitive choice



Excellent value for money



Wide availability



Fast delivery



Features and certifications

Rod accessories for cylinders. Wide range of accessories for the cylinder piston rod to allow the choice of the most appropriate mounting. All rod accessories are supplied in compliance with Reach and RoHS directives.



Clevis ISO

from page 1.85.10



Series of female clevis conforming to ISO 8140 standard for mounting onto the male piston rod of the cylinder.

Clevis UNI e DIN

from page 1.86.1



Series of female clevis conforming to UNI 1676 and DIN 71752 standard for mounting onto the male piston rod of the cylinder.

Clevis CNOMO

from page 1.87.1



Series of female and male clevis conforming to CNOMO standard for mounting onto the male piston rod of the cylinder.

Clevis with male thread

from page 1.88.1



Series of female clevis with male thread conforming to UNI 1676 and DIN 71752 standard.

Bearing heads

from page 1.90.1



Bearings. Self-lubricating bearing heads (DIN 648K) servicing-free and conforming to ISO 8139 standard. Available with female thread or with male thread.

Self-aligning articulated coupling

from page 1.90.10



Bearings. Self-aligning articulated coupling. Supplied with hexagonal nut. For mounting onto the male piston rod of the cylinder. Allow to compensate the angular and parallel misalignments. Suitable for applications with high tractions.

Axial articulated couplings

from page 1.90.20



Bearings. Axial articulated couplings for mounting onto the male piston rod of the cylinder. Allow to compensate the angular and parallel misalignments.

Angle articulated couplings

from page 1.90.30



Bearings. Angle articulated couplings for mounting onto the male piston rod of the cylinder. Allow to compensate the angular misalignments.

Self-aligning coupling

from page 1.90.40



Couplings. Self-aligning articulated coupling for mounting onto the male piston rod of the cylinder. Allow to compensate the angular and parallel misalignments.

Rod nipples

from page 1.90.60



Rod nipple. for mounting onto the female piston rod of the cylinder.

Rod nuts

from page 1.90.70



Rod nut conforming to UNI 5589 and DIN 936 standard. For mounting onto the male piston rod of the cylinder.

Matching

Item	Description	Matching with cylinders									See page
		ISO 6432 MS.. MSM.. MD.. MDM.. MDMA..	ISO 15552 AMA.. AMT.. BMA.. BMT..	ROUND RS.. RD.. RDM.. RDMA..	CNOMO CX.. CM..	ISO 21287 CIS.. CI..	UNITOP CS.. CD..	COMPACT DU.. DUN.. DUM.. DUNM..	SHORT STROKE BS.. BSM.. BD.. BDM..	COMPACT "L" CLS.. CLSM.. CLD.. CLDM..	
FF..ISO	Female ISO Clevis	●	●	-	-	● ⁽¹⁾	● ⁽¹⁾	-	● ⁽²⁾	● ⁽²⁾	1.85.10
FFP..ISO	Female ISO Clevis	●	●	-	-	● ⁽¹⁾	● ⁽¹⁾	-	● ⁽²⁾	● ⁽²⁾	1.85.10
FFN..ISO	Female ISO Clevis	●	●	-	-	● ⁽¹⁾	● ⁽¹⁾	-	● ⁽²⁾	● ⁽²⁾	1.85.11
FF..DIN	Female UNI and DIN Clevis	-	-	●	-	-	-	●	-	-	1.86.1
FFP..DIN	Female UNI and DIN Clevis	-	-	●	-	-	-	●	-	-	1.86.1
FFN..DIN	Female UNI and DIN Clevis	-	-	●	-	-	-	●	-	-	1.86.2
FF..CN	Female CNOMO Clevis	-	-	-	●	-	-	-	-	-	1.87.1
FFP..CN	Female CNOMO Clevis	-	-	-	●	-	-	-	-	-	1.87.1
FFN..CN	Female CNOMO Clevis	-	-	-	●	-	-	-	-	-	1.87.1
FM..CN	Male CNOMO Clevis	-	-	-	●	-	-	-	-	-	1.87.2
FEM..	Female Clevis with male thread	-	● ^{(3) (5)}	-	-	●	●	-	-	-	1.88.1
RF..SE	Bearings - Bearing heads with female thread	●	●	● ⁽⁴⁾	●	● ⁽¹⁾	● ⁽¹⁾	● ⁽⁴⁾	● ⁽²⁾	● ⁽²⁾	1.90.1
RM..SE	Bearings - Bearing heads with male thread	-	● ^{(3) (4)}	-	-	●	●	-	●	●	1.90.2
GB..	Bearings - Self-aligning articulated coupling	●	●	●	●	● ⁽¹⁾	● ⁽¹⁾	●	● ⁽²⁾	● ⁽²⁾	1.90.10
RBI	Bearings - Axial articulated coupling	●	●	-	●	● ⁽¹⁾	● ⁽¹⁾	●	● ⁽²⁾	● ⁽²⁾	1.90.20
RBL	Bearings - Angle articulated coupling	●	●	-	●	● ⁽¹⁾	● ⁽¹⁾	●	● ⁽²⁾	● ⁽²⁾	1.90.30
GC..	Coupling - Self-aligning articulated coupling	●	●	-	●	● ⁽¹⁾	● ⁽¹⁾	-	● ⁽²⁾	● ⁽²⁾	1.90.40
N..AQB	Rod nipples	-	-	-	-	●	●	-	●	●	1.90.60
D..	Rod nuts	●	●	● ⁽⁴⁾	●	● ⁽¹⁾	● ⁽¹⁾	● ⁽⁴⁾	● ⁽²⁾	● ⁽²⁾	1.90.70

Key

- allowed matching; - not allowed matching
- (1) compatible only with cylinders with male thread option (M)
- (2) compatible only by mounting rod nipple type N..AQB
- (3) directly compatible only with cylinders having female thread
- (4) with coarse pitch thread
- (5) in combination with bearing head mounted on rod

Main features

8 ÷ 100

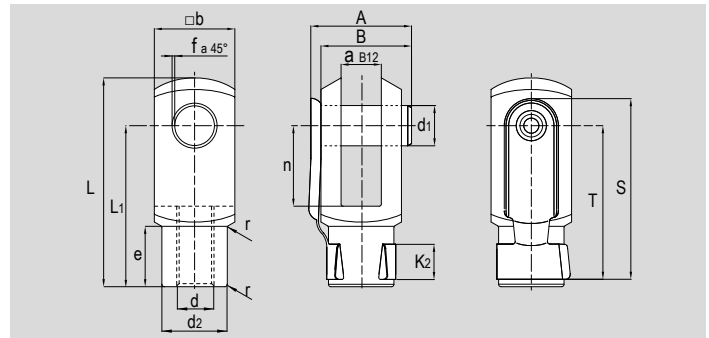


FF..ISO

Bores Ø

8140

Type



Options

Description	Suffix
Special versions on request	/S

Technical data

Type	Description	Materials
FF..ISO	Female clevis. Supplied complete with clips.	White zinc-plated steel

Dimensions

For cylinder Ø mm	Code	Item	d (thread)	a _{B12}	A	S	B	□b	d ₁	T	l ₂	d ₂	e	f (a 45°)	L	L ₁	n	r	Weight (g)
8-10	041001	FF04ISO/DIN	M4x0,7	4	11	19	9	8	4	15	5	8	6	0,5	21	16	8	0,5	7
12-16	041002	FF06ISO/DIN	M6x1	6	16	28	14	12	6	23	6	10	9	0,5	31	24	12	0,5	20
20	041003	FF08ISO/DIN	M8x1,25	8	22	37	19	16	8	31	8	14	12	0,5	42	32	16	0,5	48
25-32	041004	FF10ISO	M10x1,25	10	26	46	23	20	10	39	10	18	15	0,5	52	40	20	0,5	93
40	041005	FF12ISO	M12x1,25	12	32	55	28	24	12	47	12	20	18	0,5	62	48	24	0,5	154
50-63	041006	FF16ISO	M16x1,5	16	40	72	36	32	16	62	14	26	24	1	83	64	32	1	351
80-100	041007	FF20ISO	M20x1,5	20	48	88	44	40	20	72	16	34	30	1	105	80	40	1	680

Main features

25 ÷ 320

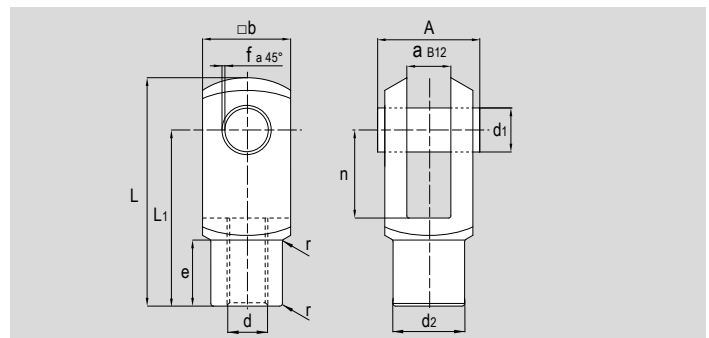


FFP..ISO

Bores Ø

8140

Type



Options

Description	Suffix
Special versions on request	/S

Technical data

Type	Description	Materials
FFP..ISO	Female clevis. Supplied complete with pin and seeger.	White zinc-plated steel

Dimensions

For cylinder Ø mm	Code	Item	d (thread)	a _{B12}	A	□b	d ₁	d ₂	e	f (a 45°)	L	L ₁	n	r	Weight (g)
25-32	041051	FFP10ISO	M10x1,25	10	26	20	10	18	15	0,5	52	40	20	0,5	89
40	041040	FFP12ISO	M12x1,25	12	32	24	12	20	18	0,5	62	48	24	0,5	147
50-63	041013	FFP16ISO	M16x1,5	16	40	32	16	26	24	1	83	64	32	1	343
80-100	041017	FFP20ISO	M20x1,5	20	48	40	20	34	30	1	105	80	40	1	668
*	041008	FFP24ISO	M24x2	25	-	50	25	42	36	1	132	100	50	1	1330
125	041009	FFP27ISO	M27x2	30	-	55	30	48	38	1	148	110	54	1	1790
160-200	041010	FFP36ISO	M36x2	35	-	70	35	60	40	1	188	144	72	1	3550
250	041068	FFP42ISO	M42x2	40	104,3	85	40	70	63,5	1	232	168	84	5	6690
320	041069	FFP48ISO	M48x2	50	117,3	96	50	82	73	1	265	192	96	5	9954

* Per cylinders non a norme.

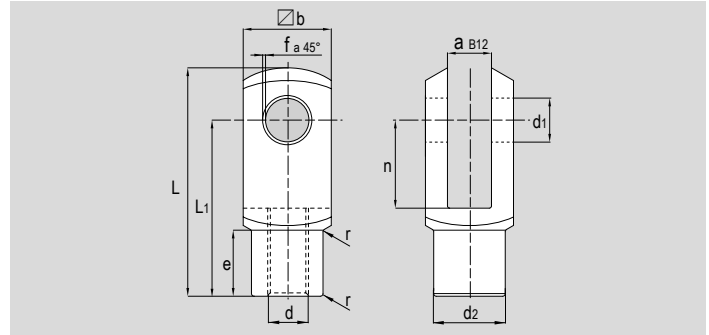
Rod accessories for cylinders

Clevis ISO



Main features

8 ÷ 320 **ISO** **FFN..ISO**
 Bores Ø 8140 Type



Options

Description	Suffix
Special versions on request	/S

Technical data

Type	Description	Materials
FFN..ISO	Female clevis. Body only.	White zinc-plated steel

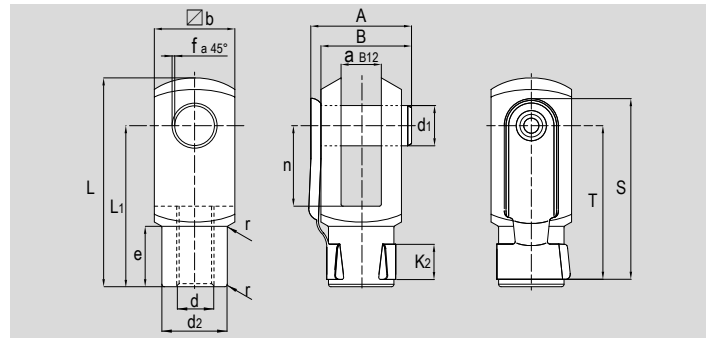
Dimensions

For cylinder Ø mm	Code	Item	d (thread)	a _{B12}	∇b	d ₁	d ₂	e	f	L	L ₁	n	r	Weight (g)
8-10	041091	FFN04ISO/DIN	M4x0,7	4	8	4	8	6	0,5	21	16	8	0,5	5
12-16	041011	FFN06ISO/DIN	M6x1	6	12	6	10	9	0,5	31	24	12	0,5	15
20	041018	FFN08ISO/DIN	M8x1,25	8	16	8	14	12	0,5	42	32	16	0,5	37
25-32	041014	FFN10ISO	M10x1,25	10	20	10	18	15	0,5	52	40	20	0,5	74
40	041016	FFN12ISO	M12x1,25	12	24	12	20	18	0,5	62	48	24	0,5	121
50-63	041012	FFN16ISO	M16x1,5	16	32	16	26	24	1	83	64	32	1	282
80-100	041015	FFN20ISO	M20x1,5	20	40	20	34	30	1	105	80	40	1	550
*	041021	FFN24ISO	M24x2	25	50	25	42	36	1	132	100	50	1	1110
125	**	FFN27ISO	M27x2	30	55	30	48	38	1	148	110	54	1	1440
160-200	**	FFN36ISO	M36x2	35	70	35	60	40	1	188	144	72	1	2930
250	**	FFN42ISO	M42x2	40	85	40	70	63,5	1	232	168	84	5	5670
320	**	FFN48ISO	M48x2	50	96	50	82	73	1	265	192	96	5	8154

* For cylinders non conforming to standards; ** For code please contact the sales department

Main features

UNI	DIN	FF..DIN
1676	71752	Type



Options

Description	Suffix
Special versions on request	/S

Technical data

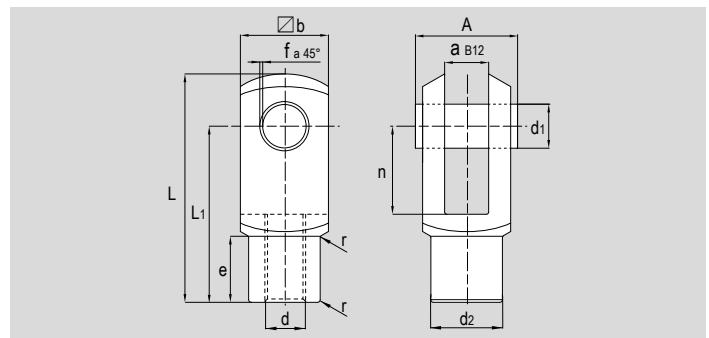
Type	Description	Materials
FF..DIN	Female clevis. Supplied complete with clips.	White zinc-plated steel

Dimensions

Code	Item	d (thread)	a _{B12}	A	B	∇b	d ₁	S	T	K ₂	d ₂	e	f (a 45°)	L	L ₁	n	r	Weight (g)
041001	FF04ISO/DIN	M4x0,7	4	11	9	8	4	19	15	5	8	6	0,5	21	16	8	0,5	7
041022	FF05DIN	M5x0,8	5	13,5	12	10	5	23	19	6	9	7,5	0,5	26	20	10	0,5	12
041002	FF06ISO/DIN	M6x1	6	16	14	12	6	28	23	6	10	9	0,5	31	24	12	0,5	20
041003	FF08ISO/DIN	M8x1,25	8	22	19	16	8	37	31	8	14	12	0,5	42	32	16	0,5	48
041025	FF10DIN	M10x1,5	10	26	23	20	10	46	39	10	18	15	0,5	52	40	20	0,5	93
041026	FF12DIN	M12x1,75	12	32	28	24	12	55	47	12	20	18	0,5	62	48	24	0,5	154
041027	FF14DIN	M14x2	14	-	-	27	14	-	-	-	24	22,5	1	72	56	28	1	224
041028	FF16DIN	M16x2	16	40	36	32	16	72	62	14	26	24	1	83	64	32	1	351
041030	FF20DIN	M20x2,5	20	48	44	40	20	88	72	16	34	30	1	105	80	40	1	680

Main features

UNI	DIN	FFP..DIN
1676	71752	Type



Options

Description	Suffix
Special versions on request	/S

Technical data

Type	Description	Materials
FFP..DIN	Female clevis. Supplied complete with pin and seeger.	White zinc-plated steel

Dimensions

Code	Item	d (thread)	a _{B12}	A	∇b	d ₁	d ₂	e	f (a 45°)	L	L ₁	n	r	Weight (g)
041096	FFP10DIN	M10x1,5	10	26	20	10	18	15	0,5	52	40	20	0,5	89
041217	FFP12DIN	M12x1,75	12	32	24	12	20	18	0,5	62	48	24	0,5	147
041213	FFP16DIN	M16x2	16	40	32	16	26	24	1	83	64	32	1	343
*	FFP20DIN	M20x2,5	20	48	40	20	34	30	1	105	80	40	1	668
041067	FFP24DIN	M24x3	25	-	50	25	42	36	1	132	100	50	1	1330

* For code please contact the sales department

Rod accessories for cylinders

Clevis UNI and DIN



Main features

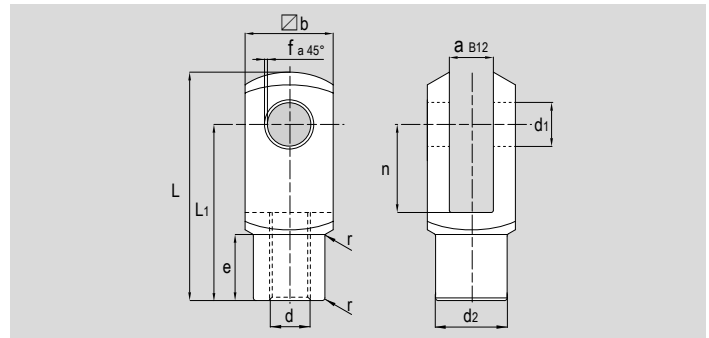


FFN..DIN

1676

71752

Type



Options

Description	Suffix
Special versions on request	/S

Technical data

Type	Description	Materials
FFN..DIN	Female clevis. Body only.	White zinc-plated steel

Dimensions

Code	Item	d (thread)	a _{B12}	∅b	d ₁	d ₂	e	f	L	L ₁	n	r	Weight (g)
041091	FFN04ISO/DIN	M4x0,7	4	8	4	8	6	0,5	21	16	8	0,5	5
041011	FFN06ISO/DIN	M6x1	6	12	6	10	9	0,5	31	24	12	0,5	15
041018	FFN08ISO/DIN	M8x1,25	8	16	8	14	12	0,5	42	32	16	0,5	37
041020	FFN10DIN	M10x1,5	10	20	10	18	15	0,5	52	40	20	0,5	74
041203	FFN12DIN	M12x1,75	12	24	12	20	18	0,5	62	48	24	0,5	121
041202	FFN16DIN	M16x2	16	32	16	26	24	1	83	64	32	1	282
041205	FFN20DIN	M20x2,5	20	40	20	34	30	1	105	80	40	1	550
041067	FFN24DIN	M24x3	25	50	25	42	36	1	132	100	50	1	1110

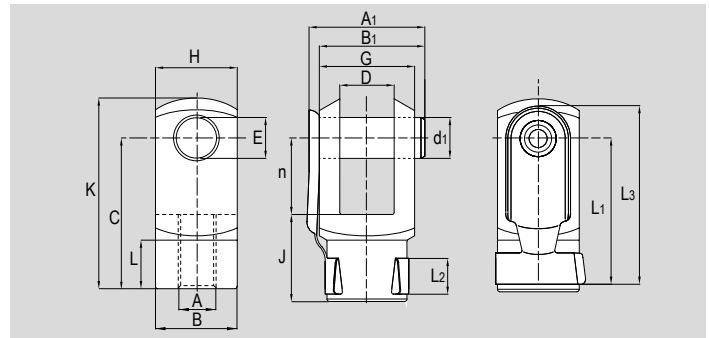
Main features

25 ÷ 125 **CNOMO** FF..CN

Bores Ø Type

Options

Description	Suffix
Special versions on request	/S



Technical data

Type	Description	Materials
FF..CN	Female clevis. Supplied complete with clips.	White zinc-plated steel

Dimensions

For cylinder Ø mm	Code	Item	A (thread)	A ₁	B	B ₁	C	D h11	d ₁ h11	E h8	G	H	L ₁	J	L ₂	K	L ₃	L	n	Weight (g)
25-32	041081	FF10CN	M10x1,5	28	18	25	36	11	8	8	22	22	36	20	10	45	41	14	16	94
40-50	041082	FF16CN	M16x1,5	44	26	40	51	18	12	12	36	26	50	26	12	64	60	17	25	253
63-80	041084	FF20CN	M20x1,5	53	34	49	63	22	16	16	45	34	63	30	15	80	74	18,5	33	530
100-125	041086	FF27CN	M27x2	73	42	69	85	30	20	20	63	42	81	45	19	105	98	30	40	1110

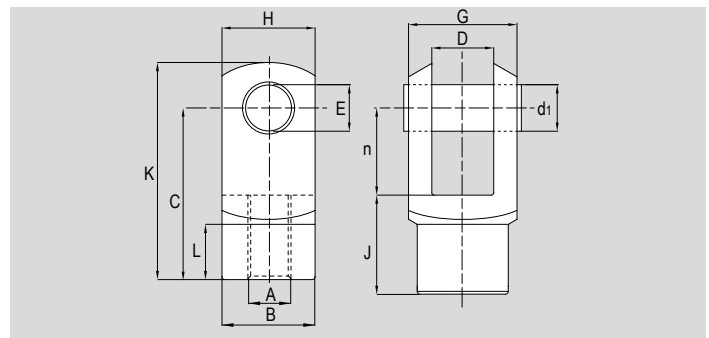
Main features

25 ÷ 200 **CNOMO** FFP..CN

Bores Ø Type

Options

Description	Suffix
Special versions on request	/S



Technical data

Type	Description	Materials
FFP..CN	Female clevis. Supplied complete with pin and seeger	White zinc-plated steel
FFN..CN*	Female clevis. Body only.	

Dimensions

For cylinder Ø mm	Code	Item	A (thread)	B	C	D h11	d ₁ h11	E h8	G	H	J	K	L	n	Weight (g)
25-32	041106	FFP10CN	M10x1,5	18	36	11	8	8	22	22	20	45	14	16	94
40-50	041105	FFP16CN	M16x1,5	26	51	18	12	12	36	26	26	64	17	25	253
63-80	041097	FFP20CN	M20x1,5	34	63	22	16	16	45	34	30	80	18,5	33	530
100-125	041087	FFP27CN	M27x2	42	85	30	20	20	63	42	45	105	30	40	1110
160-200	041088	FFP36CN	M36x2	50	115	40	25	25	80	50	75	140	45	-	2160

* For type FFN..CN clevis codes, please contact the sales department;

Rod accessories for cylinders

Clevis CNOMO



Main features

25 ÷ 200 **CNOMO** FM..CN

Bores Ø

Type

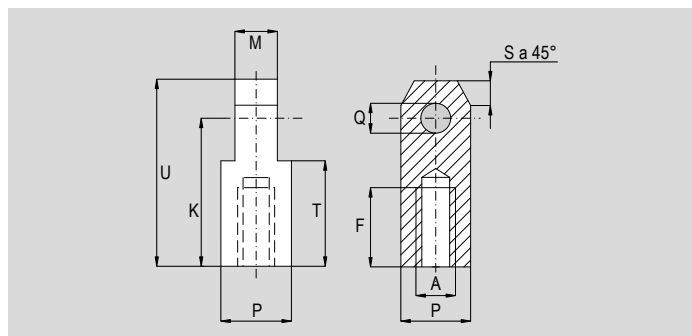
Options

Description

Suffix

Special versions on request

/S



Technical data

Type	Description	Materials
FM..CN	Male clevis. Supplied complete with pin and seeger	White zinc-plated steel
FMN..CN*	Male clevis. Body only.	

Dimensions

For cylinder Ø mm	Code	Item	A (thread)	F	M	P	Q h8	S	T	U	K	Weight (g)
25-32	041041	FM10CN	M10x1,5	20	11	22	8	6	25	45	36	-
40-50	041042	FM16CN	M16x1,5	30	18	32	12	10	34	64	51	-
63-80	041044	FM20CN	M20x1,5	36	22	36	16	12	41	80	63	-
100-125	041046	FM27CN	M27x2	50	30	45	20	17,5	58	105	85	-
160-200	041048	FM36CN	M36x2	70	40	63	25	20	81	140	115	-

* For type FMN..CN clevis codes, please contact the sales department;

Rod accessories for cylinders

Clevis with male thread



Main features

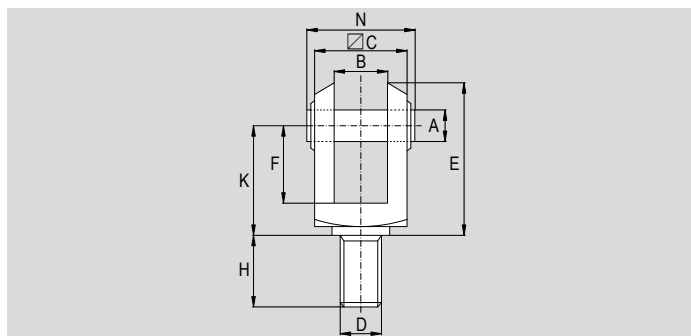


FEM

1676

71752

Type



Options

Description	Suffix
Special versions on request	/S

Technical data

Type	Description	Materials
FEM..	Female clevis with male thread. Supplied complete with pin and seeger	White zinc-plated steel

Dimensions

Code	Item	D (thread)	ØA	B	∇C	E	K	F	H	N	Weight (g)
041061	FEM10	M10x1,25	10	10	20	39	27	20	22	27	-
041062	FEM12	M12x1,25	12	12	24	46	32	24	24	31	-
041063	FEM16	M16x1,5	16	16	32	61	42	32	32	39	-
041064	FEM20	M20x1,5	20	20	40	77	52	40	40	49	-
041065	FEM27	M27x2	25	25	50	98	66	50	43	59	-
041066	FEM33	M33x2	28	28	55	110	74	56	56	64	-

Rod accessories for cylinders

Bearings - Bearing heads



Main features

8 ÷ 320

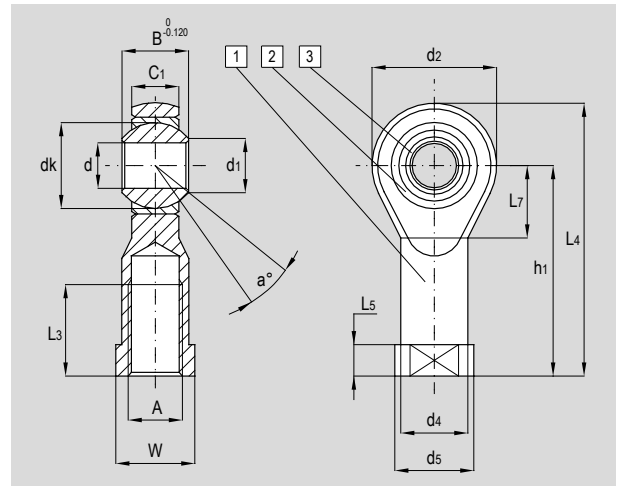


RF..SE

Bores Ø

8139

Type



Options

Description	Suffix
Left thread	S
Special versions on request	/S

Technical data

Type	Description	Temperature range
RF..SE	Bearings. Bearing head (DIN 648K) self lubricating and servicing free, with female thread.	-30°C ÷ +150°C

Standard materials

Position	Description	Material
1	Body	Zinc-plated / nichel-plated steel
2	Sphere	Hardened ground polished steel
3	External ring	Self lubricated brass / PTFE

Dimensions

For cylinders ISO Ø mm	Code	Item	d _{h6} (thread)	A _{h7}	B	C ₁	d ₁	d ₂	d ₄	d ₅	dk	h ₁	L ₃	L ₄	L ₅	L ₇	W	a°	Static load (daN)	Weight (g)
8-10	041551	RF5SE	M4	5	8	6	7,7	18	9	11	11,11	27	10	36	4	10	9	13	600	20
12-16	041552	RF6SE	M6	6	9	6,75	8,9	20	10	13	12,70	30	12	40	5	11	11	13	700	25
20	041553	RF8SE	M8	8	12	9	10,4	24	12,5	16	15,88	36	16	48	5	13	14	14	1200	47
25-32	041554	RF10SE	M10x1,25	10	14	10,5	12,9	28	15	19	19,05	43	20	57	6,5	15	17	13	1400	88
40	041555	RF12SE	M12x1,25	12	16	12	15,4	32	17,5	22	22,23	50	22	66	6,5	17	19	13	1900	140
50-63	041557	RF16SE	M16x1,5	16	21	15	19,3	42	22	27	28,58	64	28	85	8	23	22	15	4800	250
80-100	041559	RF20SE	M20x1,5	20	25	18	24,3	50	27,5	34	34,93	77	33	102	10	27	30	14	5200	430
125	041562	RF30SE	M27x2	30	37	25	34,8	70	40	50	50,80	110	51	145	15	36	41	17	10800	1200
160-200	041563	RF35SE	M36x2	35	43	28	37,7	80	46	58	57,15	125	56	165	17	41	50	19	12400	1959
250	041571	RF40SE	M42x2	40	49	33	45,2	91	53	65	66,67	142	60	187,5	19	45	55	17	-	-
320	041572	RF50SE	M48x2	50	60	45	56,6	117	65	75	82,50	160	65	218,5	23	58	65	12	-	-

Note: available also with coarse pitch thread and other sizes. For availability and codes, please contact the sales department.

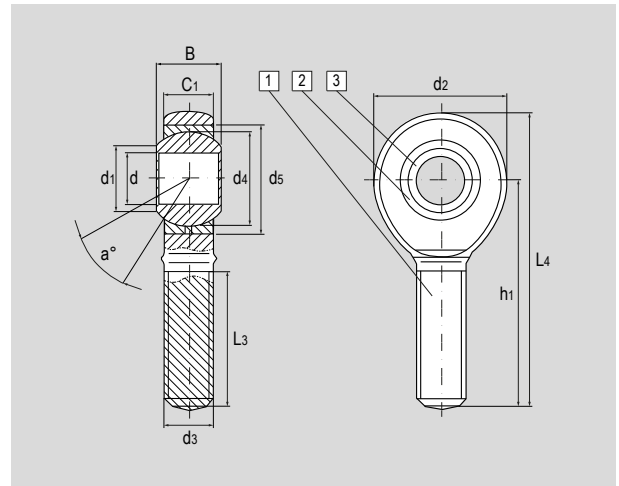
Main features



RM..SE

8139

Type



Options

Description	Suffix
Left thread	S
Special versions on request	/S

Technical data

Type	Description	Temperature range
RM..SE	Bearings. Bearing head (DIN 648K) self lubricating and servicing free, with male thread.	-30°C ÷ +150°C

Standard materials

Position	Description	Material
1	Body	Zinc-plated / nichel-plated steel
2	Sphere	Hardened ground polished steel
3	External ring	Self lubricated brass / PTFE

Dimensions

d ₃ (thread)	Code	Item	d	d ₁	d ₂	d ₄	B	C ₁	d ₅	h ₁	L ₃	L ₄	a°	Dynamic load (KN)	Static load (KN)	Weight (g)
M4x0,7	041500	RM4SE	5	7,7	18	11,11	8	6	13	33	19	42	13	3,2	5,2	10
M5x0,8	041501	RM5SE	5	7,7	18	11,11	8	6	13	33	19	42	13	3,2	5,2	10
M6x1	041502	RM6SE	6	8,9	20	12,70	9	6,75	16	36	21	46	13	4,2	6,7	20
M8x1,25	041503	RM8SE	8	10,4	24	15,88	12	9	19	42	25	54	14	7,0	9,9	30
M10x1,25	041504	RM10SE	10	12,9	28	19,05	14	10,5	22	48	28	63	13	9,6	12,4	50
M12x1,25	041505	RM12SE	12	15,4	32	22,23	16	12	26	54	32	71	13	13,0	14,8	85
M16x1,5	041507	RM16SE	16	19,3	42	28,58	21	15	32	66	37	87	15	21,3	34,3	180
M20x1,5	041509	RM20SE	20	24,3	50	34,93	25	18	40	78	45	103	14	30,9	49,8	340
M27x2	041512	RM30SE	30	34,8	70	50,8	37	25	-	110	66	145	17	71,9	96,7	1070
M36x2	041513	RM35SE	35	37,7	80	57,15	43	28	-	140	85	180,5	19	-	-	1640
M42x2	041515	RM40SE	40	45,2	91	66,67	49	33	-	150	90	195,5	17	-	-	2300
M48x2	041516	RM50SE	50	56,6	117	82,5	60	45	-	185	105	243,5	12	-	-	4800

Note: available also with coarse pitch thread and other sizes. For availability and codes, please contact the sales department.

Rod accessories for cylinders

Bearings - Self-aligning articulated coupling



Main features

8 ÷ 320

GB

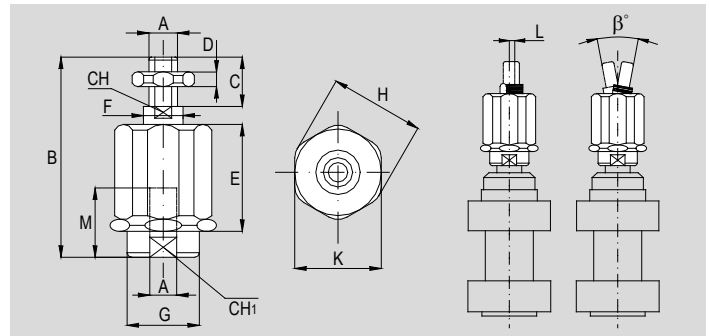
Bores Ø

Type



Options

Description	Suffix
Special versions on request	/S



Technical data

Type	Description	Materials
GB..	Bearings. Self-aligning articulated coupling. Supplied with hexagonal nut. For mounting onto the male piston rod of the cylinder. Allow to compensate the angular and parallel misalignments. Suitable for applications with high tractions.	Zinc-plated steel

Dimensions

For cylinders ISO Ø mm	Code	Item	A (thread)	B	C	D	E	ØF	ØG	ØH	K	L	M	β°	CH	CH ₁	Max thrust and traction load (N)	Weight (g)
8-10	041701	GB008	M4x0,7	33	8	2,2	15,5	6	8,5	14,5	12	1	10	10	3,2	12	750	20
*	041700	GB005	M5x0,8	38,5	13,5	2,5	17,5	6	8,5	14,5	13	1	10	10	5	7	1200	20
12-16	041702	GB010	M6x1	39	12	3,2	17,5	6	8,5	14,5	13	1	10	10	5	7	1200	30
20	041703	GB020	M8x1,25	58	16	4	24,5	8	12,5	19	17	2	20	10	7	10	2500	60
25-32	041704	GB040	M10x1,25	73	20	5	34	14	21	32	30	2	20	10	12	19	5000	220
*	041705	GB050	M10x1,5	73	20	5	34	14	21	32	30	2	20	10	12	19	5000	220
40	041706	GB060	M12x1,25	77	24	6	34	14	21	32	30	2	20	10	12	19	5000	230
*	041707	GB090	M12x1,75	77	24	6	34	14	21	32	30	2	20	10	12	19	5000	230
50-63	041708	GB100	M16x1,5	108	32	8	54	22	33,5	45	41	2	32	10	19	30	10000	660
80-100	041709	GB120	M20x1,5	122	40	9	54	22	33,5	45	41	2	40	10	19	30	10000	700
125	041711	GB130	M27x2	147	54	13,5	71	-	59	60	55	-	40	-	24	32	-	1600
160-200	041712	GB160-200	M36x2	241	72	14	125	-	56	80	75	-	40	-	36	50	-	5100
250	041713	GB250	M42x2	271	82	16	148	-	64	98	85	-	40	-	36	60	-	9200
320	041714	GB320	M48x2	271	82	18	-	-	-	-	90	-	40	-	42	60	-	-

* For cylinders not conforming to ISO standards

1 - CYLINDERS

Rod accessories for cylinders

Bearings - Axial articulated couplings



Main features

12 ÷ 100

RBI

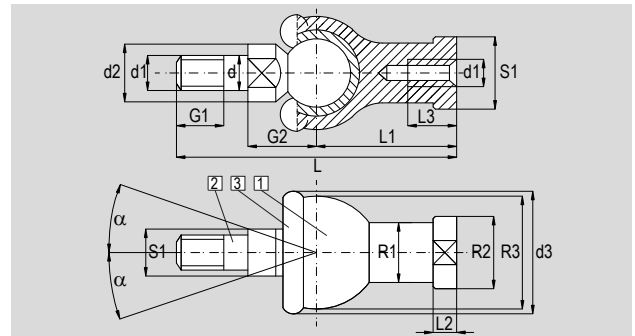
Bores Ø

Type



Options

Description	Suffix
Special versions on request	/S



Technical data

Type	Description	Temperature range
RBI..	Bearings. Axial articulated couplings for mounting onto the male piston rod of the cylinder. Allow to compensate the angular and parallel misalignments.	-20°C ÷ +80°C

Standard materials

Position	Description	Material
1	Body	Special zinc alloy
2	Pin	Zinc-plated steel
3	Seal	Neoprene (pre-lubricated spherical coupling)

Dimensions

For cylinders ISO Ø mm	Code	Item	d	d ₁ (thread)	d ₂	d ₃	G ₁	G ₂	L	L ₁	L ₂	L ₃	R ₁	R ₂	R ₃	S ₁	S ₂	α	Dynamic load (KN)	Static load (KN)	Weight (g)
*	041601	RBI5	5	M5x0,8	9	20	8	11	46	24	4	12	9	11	17	7	9	15	1,7	5,7	25
12-16	041602	RBI6	6	M6x1	10	20	11	12,2	55,2	28	5	15	10	13	20	8	11	15	2,2	7,5	40
20	041603	RBI8	8	M8x1,25	12	24	12	16	65	32	5	16	12,5	16	24	10	14	15	3,3	11,0	75
25-32	041604	RBI10	10	M10x1,25	14	30	15	19,5	74,5	35	6,5	18	15	19	28	11	17	15	4,8	16,0	121
*	041611	RBI10x1,5	10	M10x1,5	14	30	15	19,5	74,5	35	6,5	18	15	19	28	11	17	15	4,8	16,0	121
40	041605	RBI12	12	M12x1,25	17	32	17	21	84	40	6,5	20	17,5	22	32	15	19	15	6,6	22,0	187
*	041606	RBI14	14	M14x1,5	19	38	22	23,5	104,5	45	8	25	20	25	36	17	22	11	8,7	29,0	277
50-63	041607	RBI16	16	M16x1,5	22	44	23	25,5	112	50	8	27	22	27	40	19	22	11	10,0	33,0	361
*	041608	RBI18	18	M18x1,5	23	45	25	31	130,5	58	10	32	25	31	45	20	27	11	11,0	37,0	539
80-100	041609	RBI20	20	M20x1,5	27	50	25	29	133	63	10	38	27,5	34	45	24	30	7,5	11,0	37,0	575
*	041610	RBI22	22	M22x1,5	27	52	26	33	145	70	12	43	30	37	50	24	32	7,5	14,0	46,0	757

* For cylinders not conforming to ISO standards

Rod accessories for cylinders

Bearings - Angle articulated couplings



Main features

12 ÷ 100

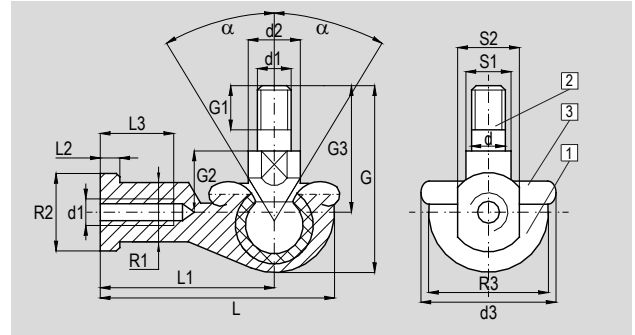
RBL

Bores Ø

Type

Options

Description	Suffix
Special versions on request	/S



Technical data

Type	Description	Temperature range
RBL..	Bearings. Angle articulated couplings for mounting onto the male piston rod of the cylinder. Allow to compensate the angular misalignments.	-20°C ÷ +80°C

Standard materials

Position	Description	Material
1	Body	Special zinc alloy
2	Pin	Zinc-plated steel
3	Seal	Neoprene (pre-lubricated spherical coupling)

Dimensions

For cylinders ISO Ø mm	Code	Item	d	d ₁ (thread)	d ₂ min	d ₃ max	G max	G ₁ min	G ₂	G ₃ max	L max	L ₁	L ₂ max	L ₃ min	R ₁ max	R ₂ max	R ₃ max	S ₁	S ₂	α	Dynamic load (KN)	Static load (KN)	Weight (g)
*	041651	RBL5	5	M5x0,8	9	20	30	8	10	21	36	27	4	14	9	12	18	7	10	9,2	25	2,7	26
12-16	041652	RBL6	6	M6x1	10	20	36	11	11	26	40,5	30	5	14	10	13	20	8	10	12	25	3,6	39
20	041653	RBL8	8	M8x1,25	12	24	43,5	12	14	31	49	36	5	17	12,5	16	25	10	13	19	25	5,7	68
25-32	041654	RBL10	10	M10x1,25	14	30	51,5	15	17	37	58	43	6,5	24	15	19	29	11	16	27	25	8,2	112
40	041655	RBL12	12	M12x1,25	19	32	57,5	17	19	42	66	50	6,5	25	17,5	22	31	16	18	37	25	11	164
*	041656	RBL14	14	M14x1,5	19	38	73,5	22	21,5	56	75	57	8	26	20	25	35	16	21	48	25	14	254
50-63	041657	RBL16	16	M16x1,5	22	44	79,5	23	23,5	60	84	64	8	32	22	27	39	18	24	53	20	16	336
*	041658	RBL18	18	M18x1,5	25	45	90	25	26,5	68	93	71	10	34	25	31	44	21	27	61	20	18	464
80-100	041659	RBL20	20	M20x1,5	29	50	90	25	27	68	99	77	10	35	27,5	34	44	24	30	61	20	18	538
*	041660	RBL22	22	M22x1,5	29	52	95	26	28	70	109	84	12	41	30	37	50	24	30	75	16	22	713

* For cylinders not conforming to ISO standards

Rod accessories for cylinders

Couplings - Self-aligning coupling



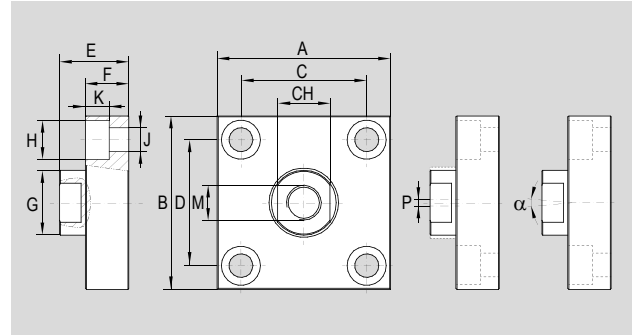
Main features

25 ÷ 200

GC

Bores Ø

Type



Options

Description	Suffix
Special versions on request	/S

Technical data

Type	Description	Materials
GC..	Couplings. Self-aligning articulated coupling for mounting onto the male piston rod of the cylinder. Allow to compensate the angular and parallel misalignments.	Zinc-plated steel

Dimensions

M (thread)	Code	Item	A	B	C	D	CH	E	F	ØG	ØH	ØJ	K	P	α	Weight (g)
M10x1,25	041722	GCM10x1,25	60	37	36 ±0,15	23 ±0,15	17	24	15	20	11	6,6	7	2	0,4±0,8	30
M12x1,25	041723	GCM12x1,25	60	56	42 ±0,2	38 ±0,2	19	30	20	25	15	9	9	2	0,4±0,8	40
M16x1,5	041724	GCM16x1,5	80	80	58 ±0,2	58 ±0,2	24	32	20	30	18	11	11	2	0,4±0,8	90
M20x1,5	041725	GCM20x1,5	90	90	65 ±0,2	65 ±0,2	36	35	20	40	20	14	13	2	0,4±0,8	110
M27x2	041726	GCM27x2	90	90	65 ±0,2	65 ±0,2	36	35	20	40	20	14	13	2	0,4±0,8	110
M36x2	041727	GCM36x2	125	125	90 ±0,2	90 ±0,2	50	55	30	60	26	18	17	3	0,4±0,95	340

Rod accessories for cylinders

Rod nipples



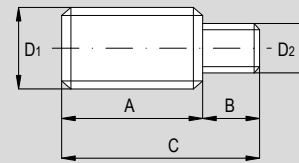
Main features

12 ÷ 100

Bores Ø

N..AQB

Type



Technical data

Type	Description	Materials
N..AQB	Rod nipple. for mounting onto the female piston rod of the cylinder. Allow mounting female threaded accessories on standard short stroke cylinders.	Zinc-plated steel

Dimensions

For cylinder Ø mm	Code	Item	D ₁ (male thread 1)	D ₂ (male thread 2)	A	B	C	Weight (g)
12	040079	N6-3AQB	M6x1	M3x0,5	16	6,5	22,5	-
16	040080	N6-4AQB	M6x1	M4x0,7	15	8	23	-
20-25	040081	N8-5AQB	M8x1,25	M5x0,8	20	10	30	-
32-40	040082	N10-6AQB	M10x1,25	M6x1	22	12	34	-
50-63	040083	N12-8AQB	M12x1,25	M8x1,25	24	14	38	-
50-63	040084	N16-8AQB	M16x1,5	M8x1,25	32	14	46	-
80	040085	N16-10AQB	M16x1,5	M10x1,5	32	15	47	-
100	040086	N20-12AQB	M20x1,5	M12x1,75	40	20	60	-

Rod accessories for cylinders

Rod nuts

Main features

8 ÷ 320

Bores Ø



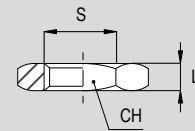
5589

D

Type



936



Technical data

Type	Description	Materials
D..	Rod nut conforming to UNI 5589 and DIN 936 standard. For mounting onto the male piston rod of the cylinder.	Zinc-plated steel

Dimensions

Code	Item	S (thread)	L	CH	Weight (g)
881397	D4x0,7	M4x0,7	2,8	7	0,6
041450	D6x1	M6x1	4	10	2,0
041451	D8x1,25	M8x1,25	5	13	4,0
041452	D10x1,25	M10x1,25	6	17	8,5
041453	D10x1,5	M10x1,5	6	17	9,0
041454	D12x1,25	M12x1,25	7	19	11,5
041455	D16x1,5	M16x1,5	8	24	20,0
041456	D20x1,5	M20x1,5	9	30	34,0
041458	D27x2	M27x2	12	41	87,0
041459	D36x2	M36x2	14	55	184,0
041449	D42x2	M42x2	16	65	295,0
041477	D48x2	M48x2	18	75	444,0

Note: available also with coarse pitch thread and other sizes. For availability and codes, please contact the sales department.